

6500

**3 LAYER
SANDWICH CONSTRUCTION**

PREMIUM COMMERCIAL/INDUSTRIAL INSULATED DOORS

STANDARD FEATURES

DOOR SECTIONS

Door sections have a 2" thickness and are manufactured using an exterior pebble grain embossed nominal 24 gauge steel panel and a 26 gauge steel interior panel with polystyrene insulation pressure bonded to both panels. Sections have tongue and groove meeting rails. Exterior panels are formed with four small grooves. End caps are 20 gauge galvanized steel. 20 steel interior hinge plates are provided for hardware attachment. Plates extend to full height of the section. R value of polystyrene core is 10.25.

GLAZING

24" x 8" or 24" x 12" windows glazed with insulated glass are available. Optional Series 8000 Full View sections can be substituted for steel sections.

TRACK

Galvanized track system is 2" or 3" depending on door size and weight and can be bracket or angle mounted as required. Optional track configurations include high lift, vertical lift, low headroom, and follow the roof pitch.

HARDWARE

Hinges and brackets are made from galvanized steel. Commercial duty rollers are standard.

SPRING COUNTERBALANCE

Springs are oil tempered helical wound and stress relieved torsion springs mounted on a cross header shaft supported by bearing brackets. Springs are calculated for 10,000 door cycles. 25K, 50K, or 100K cycles are optional. Cables are galvanized aircraft quality with a minimum 7 to 1 safety factor.

FINISH

1.0 mil paint system includes .25 mil rust inhibiting primer and .75 mil top coat that resists fading and chalking while providing consistent color from panel to panel. Standard color is white. Brown optional.

WEATHERSTRIP

Bottom section has a replaceable U type bottom astragal retained by an extruded aluminum retainer. Optional jambs and header weather-stripping is available.

LOCK

Lock is interior mounted slide lock.

OPERATION

Operation to be manual push up, chain hoist, or electric motor.

WIND LOAD

Consult factory for available wind load rated options.

SIZES AVAILABLE

DOOR WIDTH	PANELS WIDE	SECTION HEIGHTS: 21" 24"
UP to 9'2"	2	1
9'3" to 12'2"	3	2
12'3" to 17'2"	4	3
17'3" to 18'2"	5	4
18'3" to 24'2"	6	5
24'3" to 26'2"	7	6

COMPLETE DOORS AVAILABLE THROUGH 26' 2"

COLORS

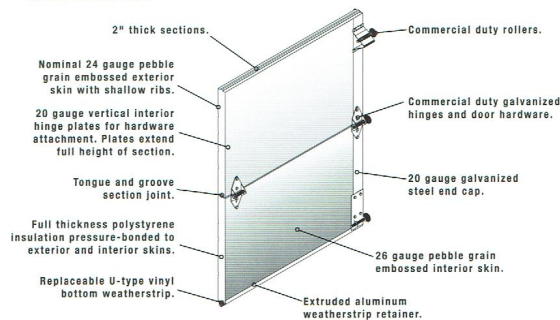


WHITE

BROWN

BROCHURE COLOR
MAY VARY FROM
ACTUAL PRODUCT.

CONSTRUCTION



Your Local Authorized Dealer:

To view this
product
online:



1501 Taney Street, North Kansas City, MO 64116 Ph: 816-474-3900 Fax: 816-474-3902

© 2012 DoorLink Manufacturing, Inc.

www.DoorLinkMfg.com

11230